

Three wires 0.56" Digital Voltmeter 0-100V

Product Features:

To achieve the best measurement precision, the voltmeter will measure the voltage according to the different automatic moving the position of the decimal point

Can be used for measuring the car / battery car / motorcycle battery voltage, and other forms of voltage

Can be used in all kinds of voltage measurement purposes

Technical Parameters:

Weight:	18g
Display color:	Red/Green/Blue
Display mode:	Three 0.56 LED digital tube
update rate:	About 500 ms/time
Physical size:	48 x 29 x 22 mm (L*W* H)
Opening size:	45 x 26 mm (L*W)
Power supply:	DC4.5-28V (MAX 30V)
Measurement range:	DC 0-100V
Lead wire length:	15 cm
Operation temperature:	-10 degrees~65 degrees
Measurement accuracy:	\pm (1% + 2 Digit)

White line: Measure Voltage +(0-100V)

Red line: Power Supply +

Black line: Power Supply -, Measure Voltage-



Red display



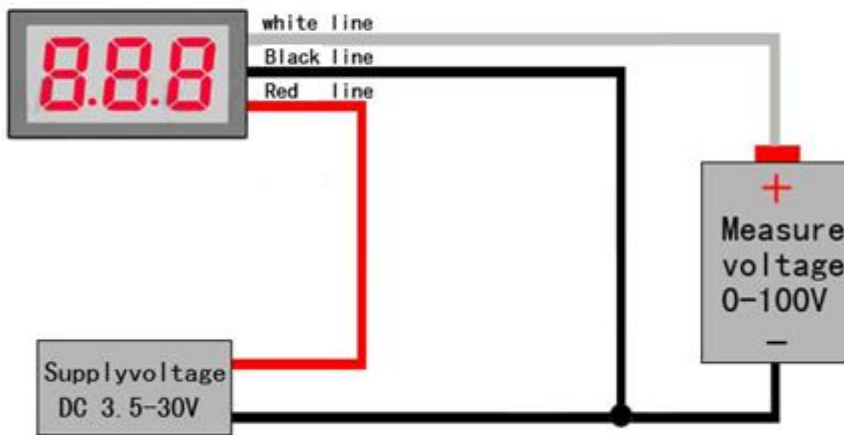
Blue display



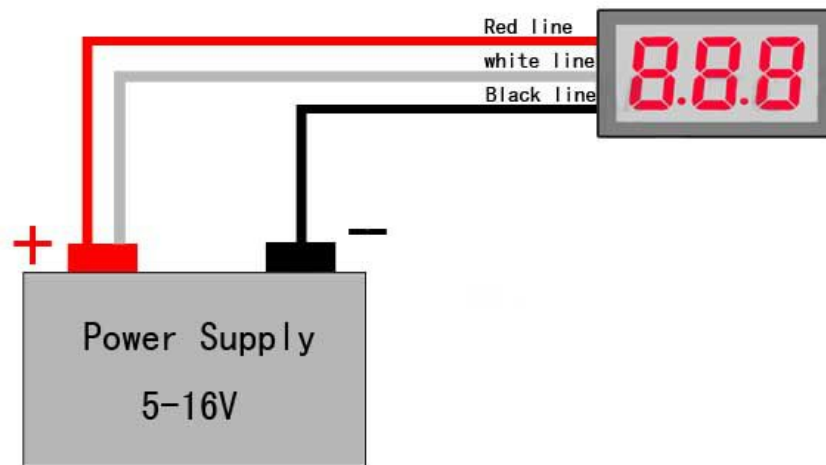
Green display



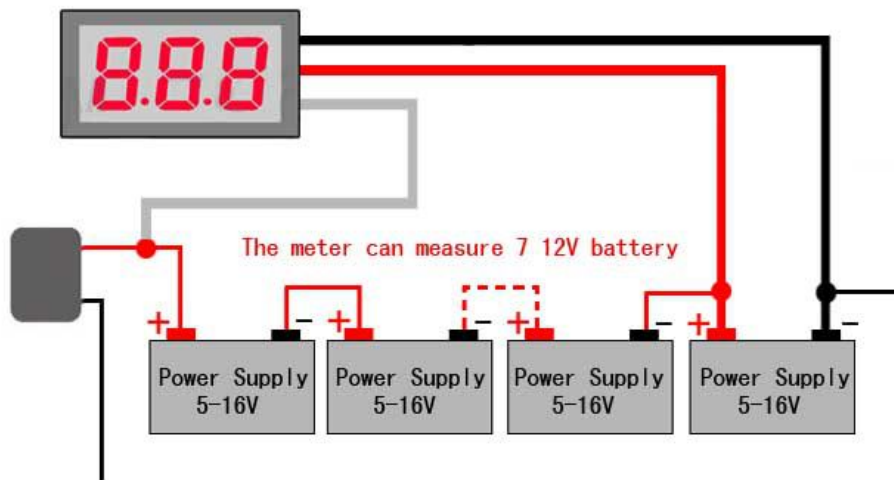
Three wire type 0-100V DC voltage meter connection mode



When the test voltage is 5-16V connection mode



When the test voltage is 17-99V connection mode



Tips: if the meter is installed in the electric vehicle battery is long-term observation, the power supply from the control or take 5-16 voltage converter.